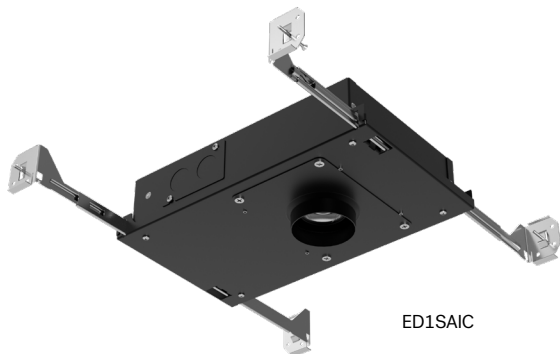


Project: _____

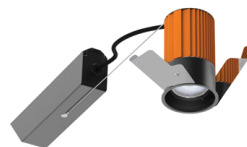
Type: _____

Note: _____

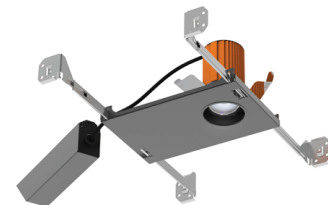
ECO 1" LED DOWNLIGHT



ED1SAIC



ED1RM, ED1LRIC



ED1NC, ED1LNIC

LED LIGHT ENGINE	
RATED WATTAGES	14W (Warm Dim only). 12W, 10W
DELIVERED LUMENS	Up to 1005 lm
EFFICACY	Up to 99 LPW
CCT @ 90CRI	2700K, 3000K, 3500K, 4000K, Warm Dim
COLOR QUALITY	90+ CRI, 2-Step SDCM
LED LIFETIME	>55,000 hours @ L80

SILENT VU™ OPTICS TECHNOLOGY	
OPTICS	50° Installed, 10°, 30°, 80° available
ADJUSTABLE	0° to 30° tilt (Adjustable housings only)
MEDIA	Clear, Solite, Frosted, Linear Spread, Hex Louver

POWER SUPPLY	
INPUT VOLTAGE	120/277V 50/60Hz
DIMMING	TRIAC, ELV and 0-10V, dims to 1%
SERVICABILITY	Below ceiling access

DELIVERED LUMENS MATRIX					
ED1 (10.2W)	10° OPTIC	30° OPTIC	50° OPTIC	80° OPTIC	
2700K (90CRI)	776 lm	896 lm	851 lm	644 lm	
3000K (90CRI)	826 lm	954 lm	906 lm	686 lm	
3500K (90CRI)	850 lm	982 lm	932 lm	705 lm	
4000K (90CRI)	870 lm	1005 lm	954 lm	723 lm	

TRIM OPTIONS

- Fixed or Adjustable
- Round or Square
- Standard or Trimless
- Wet Location

TRIM COLORS

- White
- Black
- Champagne
- Champagne w/White Flange
- Black w/White Flange
- Silver w/White Flange

ED1 NIC, RIC (8.7W)	10° OPTIC	30° OPTIC	50° OPTIC	80° OPTIC
Warm Dim (98 CRI, R9>90)	383 lm	466 lm	466 lm	386 lm

ED1 SAIC (12.5W)	10° OPTIC	30° OPTIC	50° OPTIC	80° OPTIC
Warm Dim (98 CRI, R9>90)	525 lm	639 lm	639 lm	530 lm

HOUSING

- New Construction includes (2) galvanized steel adjustable hanger bars
- Remodel option available
- 5/8"-2" ceiling thickness
- Min Plenum Height: 2 3/8"
- Ceiling Material: Drywall, T-bar grid
- Steel junction box with up to (4) 1/2" knockouts
- ASTM E283 Air Tight compliant
- SAIC models are CCEA compliant. (Note: polycell spray-in foam insulation must be kept 3" from housing)

ED1L (9.0W)	10° OPTIC	30° OPTIC	50° OPTIC	80° OPTIC
2700K (90CRI)	688 lm	794 lm	754 lm	559 lm
3000K (90CRI)	732 lm	846 lm	803 lm	608 lm
3500K (90CRI)	753 lm	870 lm	826 lm	625 lm
4000K (90CRI)	771 lm	891 lm	846 lm	640 lm

LISTING/WARRANTY

- cULus Listed
- IC Rated and Non IC Rated Available
- CCEA Approved (SAIC Models)
- Five (5) years limited warranty
- UL Listed for Damp/Wet Location (Wet Location Trim Style)
- CA Title 24-JA8 Compliant (SAIC, NIC & RIC Models)
- ASTM E283 Certified Airtight
- Compliant with CEC Title 24 - JA10 flicker requirements



Project: _____

Type: _____

Note: _____

ECO 1" LED DOWNLIGHT

ORDER MATRIX

ED1

ECO 1" HOUSING + LIGHT ENGINE ORDER MATRIX (Example: ED1SAIC-309050-12S)

HOUSING BASE		LED PERFORMANCE			DRIVER ASSEMBLY	
FAMILY APERTURE	INSTALLATION TYPE	CCT	CRI	OPTIC	WATTAGE	LED DIMMING DRIVER
ED1 ECO 1"	SAIC Shallow Plenum Adjustable IC	-27 2700K	90 90 CRI	50 50° Flood Installed 10°, 30°, 80° optics available from the Additional Optics Accessories table below	-12 10.2W	S³ Universal Dimming Driver (1%-100% 0-10V, TRIAC, ELV, 120V/277V)
	NC New Construction Fixed	-30 3000K				
	RM Remodel Fixed	-35 3500K				
		-40 4000K				

FAMILY APERTURE	INSTALLATION TYPE	CCT	CRI	OPTIC	WATTAGE	LED DIMMING DRIVER	
ED1 ECO 1" Warm Dim	SAIC Shallow Plenum Adjustable IC	-WD 1800K-3000K Warm Dim	98 98 CRI Warm Dim	50 50° Flood Installed 10°, 30°, 80° optics available from the Additional Optics Accessories table below	-10¹ 8.7W -14^{1,2} 12.5W	S³ Universal Dimming Driver (1%-100% 0-10V, TRIAC, ELV, 120V/277V)	
	NIC New Construction Fixed IC						NIC or RIC Installation Type Only
	RIC Remodel Fixed IC						SAIC Installation Type Only

1. SAIC Installation Type and Wattage Code -14.
NIC or RIC Installation Type and Wattage Code -10.

2. Wattage Code -14 Title 24 JA-8 compliant only with 30° or 50° optic installed.
3. TRIAC, ELV dimming for 120V only.

ED1L

ECO 1" HOUSING + LIGHT ENGINE ORDER MATRIX (Example: ED1LSAIC-309050-10S)

HOUSING BASE		LED PERFORMANCE			DRIVER ASSEMBLY	
FAMILY APERTURE	INSTALLATION TYPE	CCT	CRI	OPTIC	WATTAGE	LED DIMMING DRIVER
ED1L ECO 1" LPD	SAIC Shallow Plenum Adjustable IC	-27 2700K	90 90 CRI	50 50° Flood Installed 10°, 30°, 80° optics available from the Additional Optics Accessories table below	-10 9W	S¹ Universal Dimming Driver (1%-100% 0-10V, TRIAC, ELV, 120V/277V)
	NC New Construction Fixed IC	-30 3000K				
	RIC Remodel Fixed IC	-35 3500K				
		-40 4000K				

1. TRIAC, ELV dimming for 120V only.

ECO 1" LED DOWNLIGHT

ORDER MATRIX

TRIMMED (FLANGED)

ECO 1" DOWNLIGHT TRIM ORDER MATRIX (Example: ED1-RSTWT)

FAMILY APERTURE	TRIM SHAPE	TRIM STYLE	TRIM FINISH		
ED1- ECO 1" Flanged	R Round	ST Standard	WT White	BW ¹ Black w/White Flange	
		WL Wet Location	BK Black	SW ¹ Silver w/White Flange	
	S Square			CN Champagne	CW ¹ Champagne w/White Flange

1. Color option available in ST (Standard) style only

TRIMLESS KIT (REFLECTOR + MUD PLATE)

ECO 1" DOWNLIGHT TRIMLESS ORDER MATRIX (Example: ED1-KRSTWT)

FAMILY APERTURE	KIT	REFLECTOR SHAPE	REFLECTOR STYLE	TRIM FINISH
ED1- ECO 1" Trimless	K (Reflector and Mudplate Kit)	R Round	ST SAIC (Shallow Plenum Adjustable housing types only)	WT White
		S ¹ Square	RM NC (Fixed), RM (Remodel) housing types only	BK Black
				CN Champagne

1. S (Square) not available for RM Reflector Style.

TRIMLESS REFLECTOR

ECO 1" DOWNLIGHT TRIMLESS ORDER MATRIX (Example: ED1-RTLWT or ED1-RRMTLWT)

FAMILY APERTURE	UNKITTED	TRIM SHAPE	REFLECTOR POSITION	TRIM STYLE	TRIM FINISH
ED1- ECO 1" Trimless	(Blank)	R Round	F Fixed	TL SAIC (Shallow Plenum Adjustable housing types only)	WT White
		S ¹ Square	A Adjustable	RM NC (Fixed), RM (Remodel)	BK Black
			Blank (NC/RM)		CN Champagne

1. S (Square) not available for RM Reflector Style.

* Trimless Reflector Only. Order corresponding Trimless Mud Plate.

TRIMLESS MUD PLATE

ECO 1" DOWNLIGHT MUD PLATE ORDER MATRIX (Example: ED1-R-TL or ED1-RRMTL)

FAMILY APERTURE	UNKITTED	TRIM SHAPE	TRIM STYLE
ED1- ECO 1" Trimless	(Blank)	R Round	TL SAIC (Shallow Plenum Adjustable housing types only)
		S ¹ Square	RM NC (Fixed), RM (Remodel)

1. S (Square) not available for RMTL Mud Plate.

* Trimless Mud Plate Only. Order corresponding Trimless Reflector

ECO 1" LED DOWNLIGHT

ORDER MATRIX

ACCESSORIES

ECO 1" ACCESSORIES FOR ECO, ED1, ED1L, ED1S

ADDITIONAL OPTICS	OPTICAL MEDIA	EMERGENCY OPTIONS
Used with Static White	ED1-CL Clear Lens	EM-1000 25W Remote Inverter
ED1-10-OPTIC 10° Spot	ED1-MP Solite Lens	EM-1002 10W Remote EM Driver
ED1-30-OPTIC 30° Narrow Flood	ED1-F Frosted Lens	EM-1003-CA 35W Remote Inverter, Title 20
ED1-50-OPTIC 50° Flood	ED1-LS Linear Spread Lens	EM-1004 50W Remote Inverter
ED1-80-OPTIC 80° Wide Flood	ED1-HEX¹ Hex Louver	EM-1006 25W Remote Inverter, Title 20
Used with Warm Dim	ED1-MHLDR² Media Holder	
ED1-10-OPTIC-WD 10° Spot		
ED1-30-OPTIC-WD 30° Narrow Flood		
ED1-50-OPTIC-WD 50° Flood		
ED1-80-OPTIC-WD 80° Wide Flood		

1. MHLDR required when using a Hex Louver

2. MHLDR required when ordering any optical media and only compatible with SAIC & LSAIC

TRIM ACCESSORIES

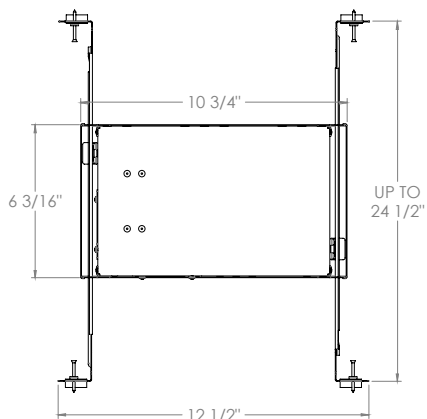
ECO 1" TRIM ACCESSORIES ORDER MATRIX (Example: ED1-R-TL)

FAMILY APERTURE	STYLE
ED1- ECO 1"	R-FMA Round Flush Mount Adapter
	S-FMA Square Flush Mount Adapter
	TC1 Thick Ceiling Adapter for ceilings 11/16" to 1-1/4"
	TC2 Thick Ceiling Adapter for ceilings 1-5/16" to 2"

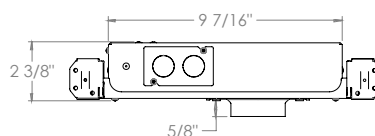
ECO 1" LED DOWNLIGHT

HOUSING AND LIGHT ENGINE LINE DRAWINGS

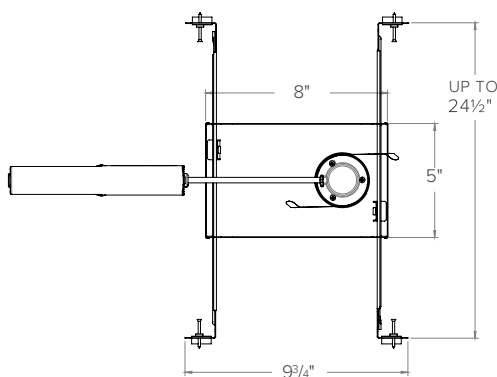
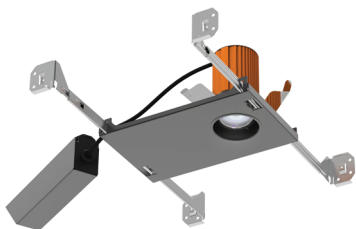
ED1SAIC, ED1LSAIC



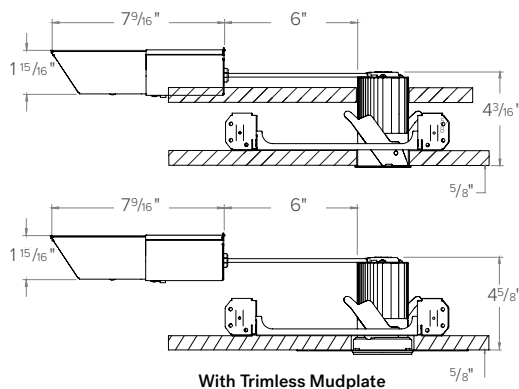
Minimum plenum height 2 3/8"



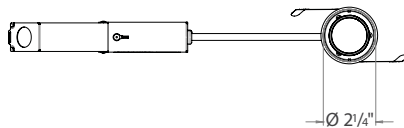
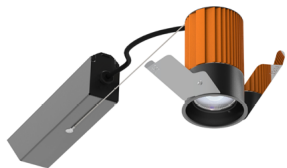
ED1NC, ED1LNIC



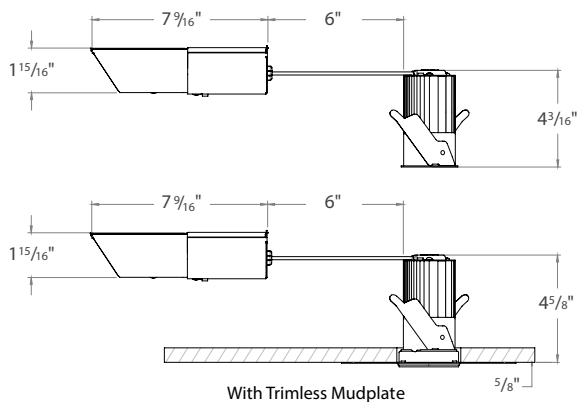
Minimum plenum height 5 1/2"



ED1RM, ED1LRIC

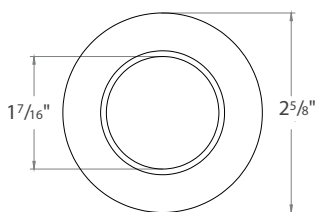
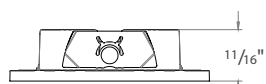
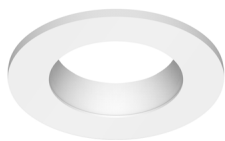


Minimum plenum height 5 1/2"

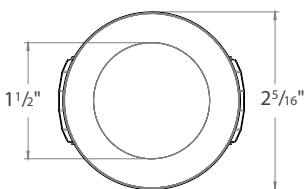


ECO 1" LED DOWNLIGHT

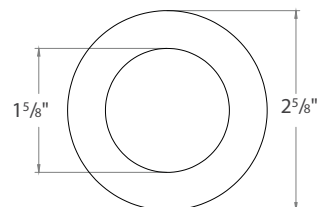
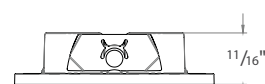
TRIM STYLES



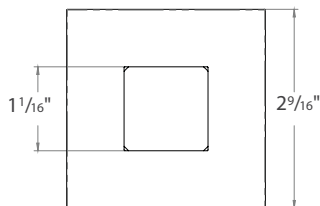
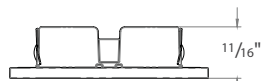
ED1-RST
ROUND STANDARD TRIM



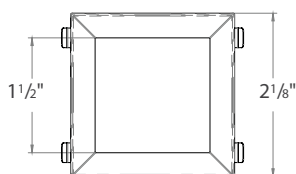
ED1-RTL
ROUND TRIMLESS



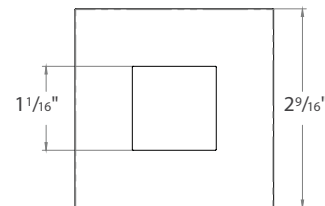
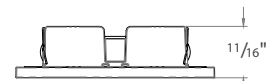
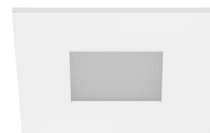
ED1-RWL
ROUND WET LOCATION



ED1-SST
SQUARE STANDARD TRIM



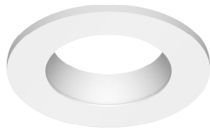
ED1-STL
SQUARE TRIMLESS
Trimless Style for use with SAIC models only.



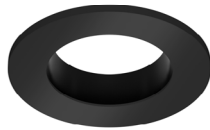
ED1-SWL
SQUARE WET LOCATION

ECO 1" LED DOWNLIGHT

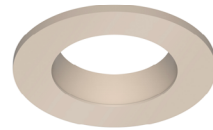
TRIM FINISHES



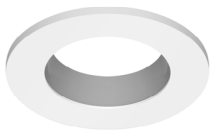
ED1-RSTWT
WT White Reflector with White Trim



ED1-RSTBK
BK Black Reflector with Black Trim



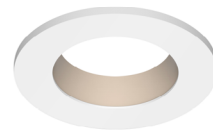
ED1-RSTCN
CN Champagne Reflector with Champagne Trim



ED1-RSTSW
SW Silver Reflector with White Trim



ED1-RSTBW
BK Black Reflector with White Trim



ED1-RSTCW
CN Champagne Reflector with White Trim



ED1-SSTWT
WT White Reflector with White Trim



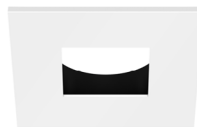
ED1-SSTBK
BK Black Reflector with Black Trim



ED1-SSTCN
CN Champagne Reflector with Champagne Trim



ED1-SSTSW
SW Silver Reflector with White Trim



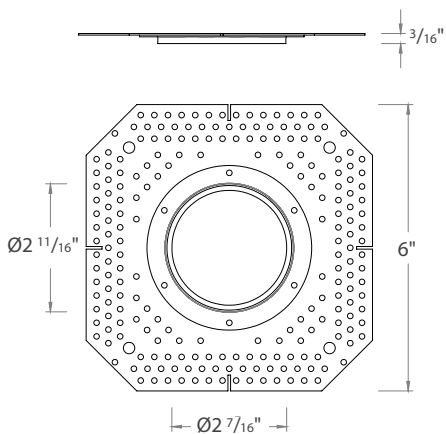
ED1-SSTBW
BW Black Reflector with White Trim



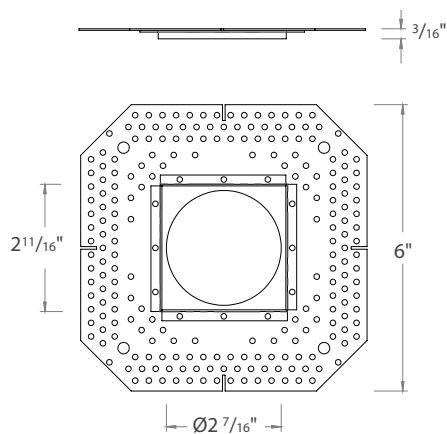
ED1-SSTCW
CW Champagne Reflector with White Trim

ECO 1" LED DOWNLIGHT

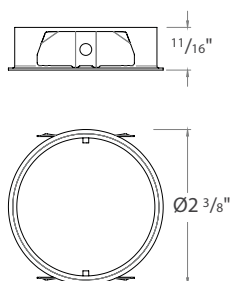
ACCESSORIES



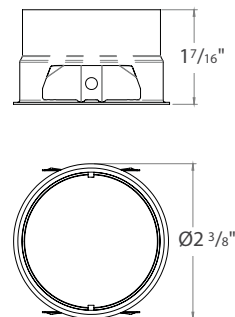
ED1-R-FMA
ROUND FLUSH MOUNT ADAPTER



ED1-S-FMA
SQUARE FLUSH MOUNT ADAPTER



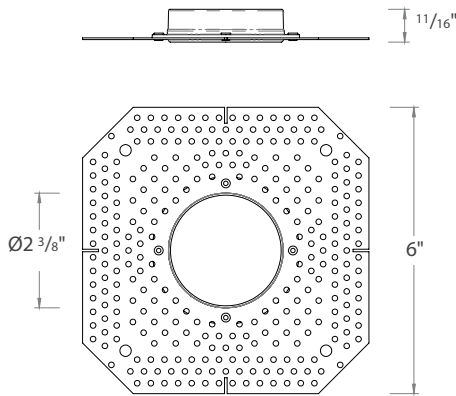
ED1-TC1
THICK CEILING ADAPTER
For ceilings 1-1/16" to 1-1/4"



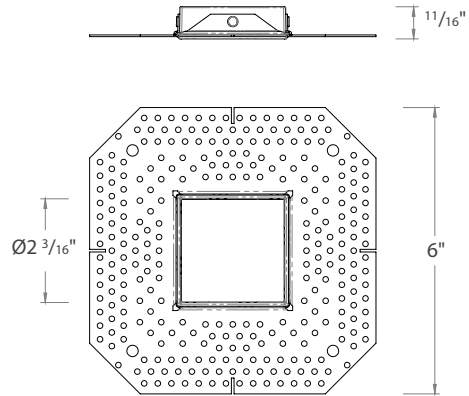
ED1-TC2
THICK CEILING ADAPTER
For ceilings 1-5/16" to 2"

ECO 1" LED DOWNLIGHT

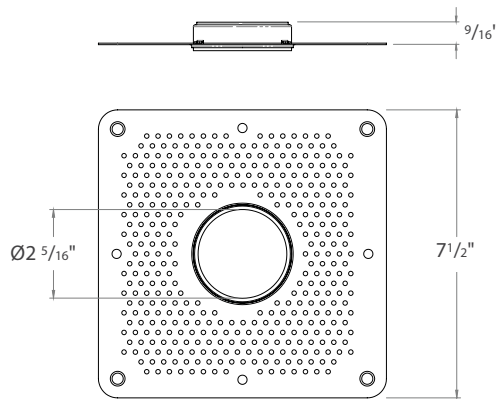
TRIMLESS ACCESSORIES



ED1-R-TL
ROUND TRIMLESS MUDPLATE
For use with SAIC housings only



ED1-S-TL
SQUARE TRIMLESS MUDPLATE
For use with SAIC housings only



ED1-R-RMTL
ROUND TRIMLESS MUDPLATE
For use with NC, NIC, RM, RIC housings only

Project: _____

Type: _____

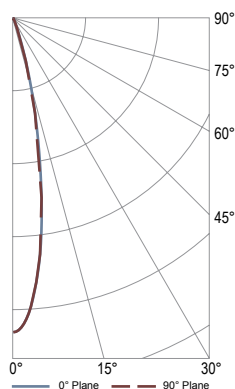
Note: _____

ECO 1" LED DOWNLIGHT

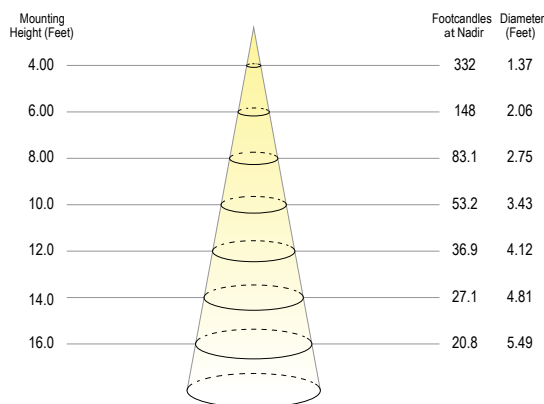
PHOTOMETRICS

Eco Downlight 1" SAIC model (2700K, 90 CRI, 10° Optic, 12W)
Round, Standard, White Trim

Polar Plot



Cone of Light Tabulation



VOLTAGE	CURRENT	POWER
120 VAC	0.09 A	10.22W

POWER FACTOR	FREQUENCY	CURRENT THD
0.993	60 Hz	8.7%

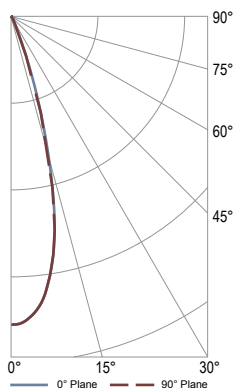
Summary of Results

Spacing Criteria	Total Lumen Output:	775.8 Lumens
0-180: 0.36	Luminaire Efficacy:	75.9 lm/w
90-270: 0.36	Maximum Candela:	5555 Candela

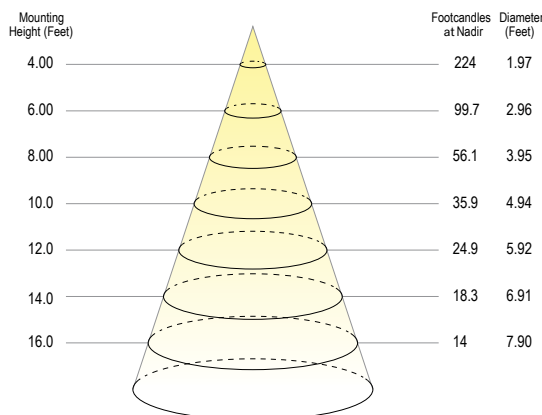
ZONE	LUMENS	% OF LUMINAIRE
0-20	715.3	92.2%
0-60	768.9	99.1%
0-90	775.8	100%

Eco Downlight 1" SAIC model (2700K, 90 CRI, 30° Optic, 12W)
Round, Standard, White Trim

Polar Plot



Cone of Light Tabulation



VOLTAGE	CURRENT	POWER
120 VAC	0.09 A	10.23W

POWER FACTOR	FREQUENCY	CURRENT THD
0.994	60 Hz	8.6%

Summary of Results

Spacing Criteria	Total Lumen Output:	896.4 Lumens
0-180: 0.48	Luminaire Efficacy:	87.6 lm/w
90-270: 0.48	Maximum Candela:	4125 Candela

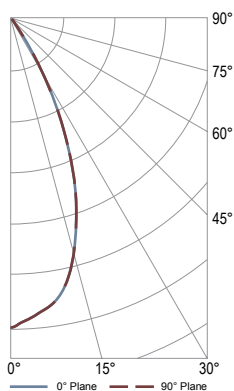
ZONE	LUMENS	% OF LUMINAIRE
0-30	878	97.9%
0-60	892.8	99.6%
0-90	896.4	100%

ECO 1" LED DOWNLIGHT

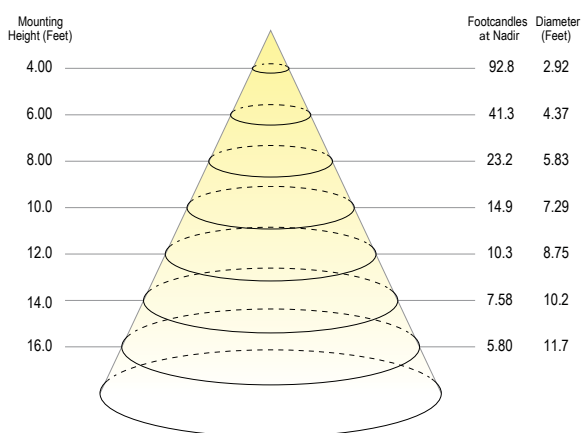
PHOTOMETRICS

Eco Downlight 1" SAIC model (2700K, 90 CRI, 50° Optic, 12W)
 Round, Standard, White Trim

Polar Plot



Cone of Light Tabulation



VOLTAGE	CURRENT	POWER
120 VAC	0.09 A	10.2W

POWER FACTOR	FREQUENCY	CURRENT THD
0.994	60 Hz	8.6%

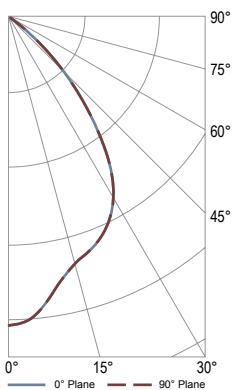
Summary of Results

Spacing Criteria	Total Lumen Output:	850.8 Lumens
0-180: 0.72	Luminaire Efficacy:	83.3 lm/w
90-270: 0.72	Maximum Candela:	1542 Candela

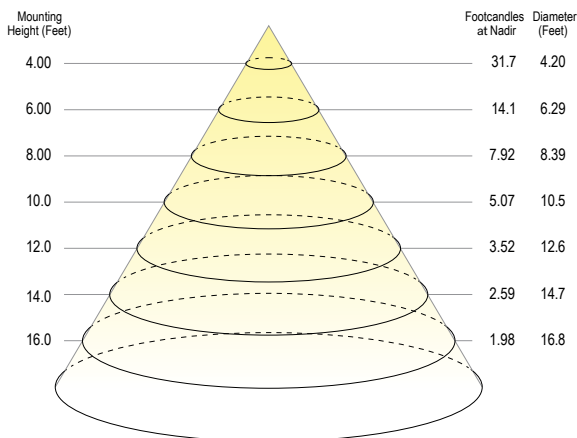
ZONE	LUMENS	% OF LUMINAIRE
0-40	829.5	97.5%
0-60	846.4	99.5%
0-90	850.8	100%

Eco Downlight 1" SAIC model (2700K, 90 CRI, 80° Optic, 12W)
 Round, Standard, White Trim

Polar Plot



Cone of Light Tabulation



VOLTAGE	CURRENT	POWER
120.0 VAC	0.09 A	10.22W

POWER FACTOR	FREQUENCY	CURRENT THD
0.994	60 Hz	8.7%

Summary of Results

Spacing Criteria	Total Lumen Output:	641.1 Lumens
0-180: 1.0	Luminaire Efficacy:	63 lm/w
90-270: 1.0	Maximum Candela:	527 Candela

ZONE	LUMENS	% OF LUMINAIRE
0-40	516	80.1%
0-60	630	97.8%
0-90	641	100%

Project: _____

Type: _____

Note: _____

ECO 1" LED DOWNLIGHT

FOR DRIVER TYPE "S"

Universal Dimming Driver, ED1 and ED1L

COMPATIBLE PHASE CONTROL DIMMERS

MFG	MODEL	MFG	MODEL
Lutron	LGCL-153PL	Leviton	VPE06
Lutron	DVRP-253P	Leviton	DW1KD-1BZ
Lutron	RRD-6CL	Leviton	IPE04
Lutron	NTELV-600P	Leviton	IPL06
Lutron	DVELV-303P	Cooper	SAL06P
Lutron	MAELV-600		
Lutron	PD-6WCL		
Lutron	SELV-300P		
Lutron	DVCL-153-P		

COMPATIBLE 0-10VDC DIMMERS

MFG	MODEL
Lutron	NFTV
Lutron	DTV
Lutron	DVSTV
Leviton	IP710-LFZ
Lightolier	SR1200ZTUNV
Cooper	SF10P-W
Leviton	IP710-DL

Compatible dimmer information provided by the dimming driver manufacturer